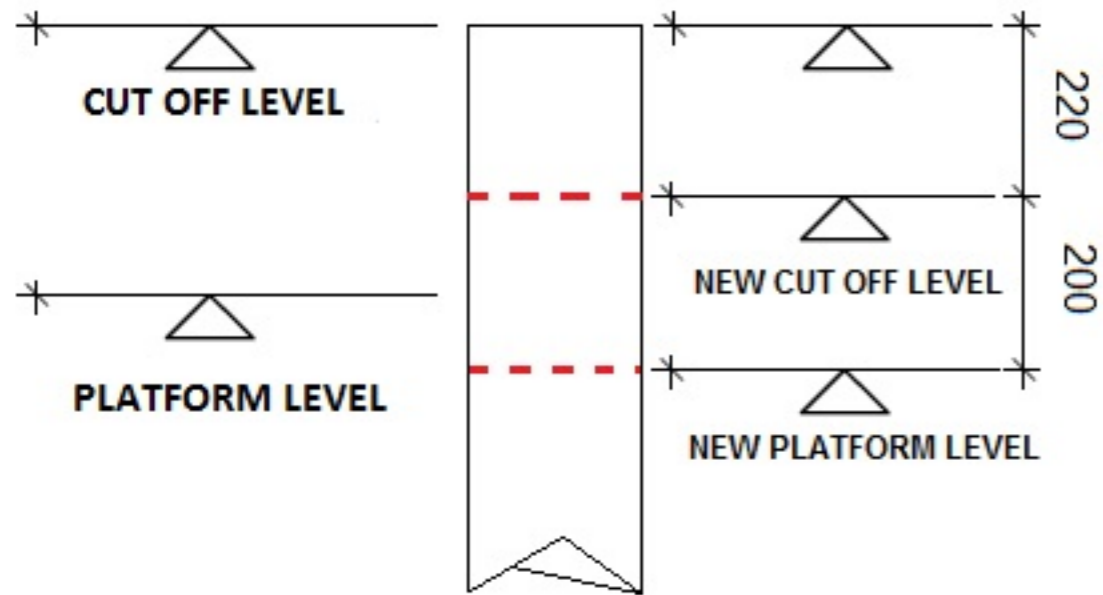




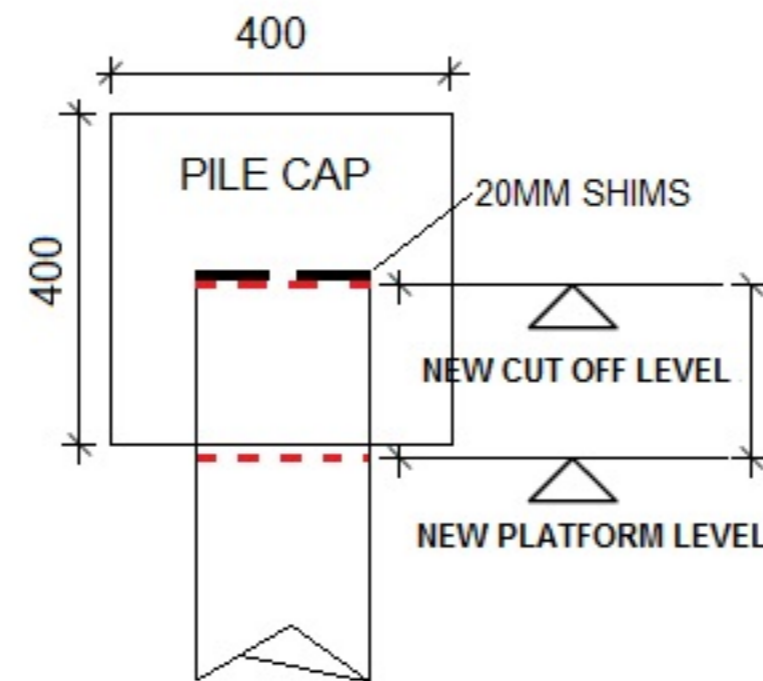
**CENTRUM**

## Installing Pile Caps



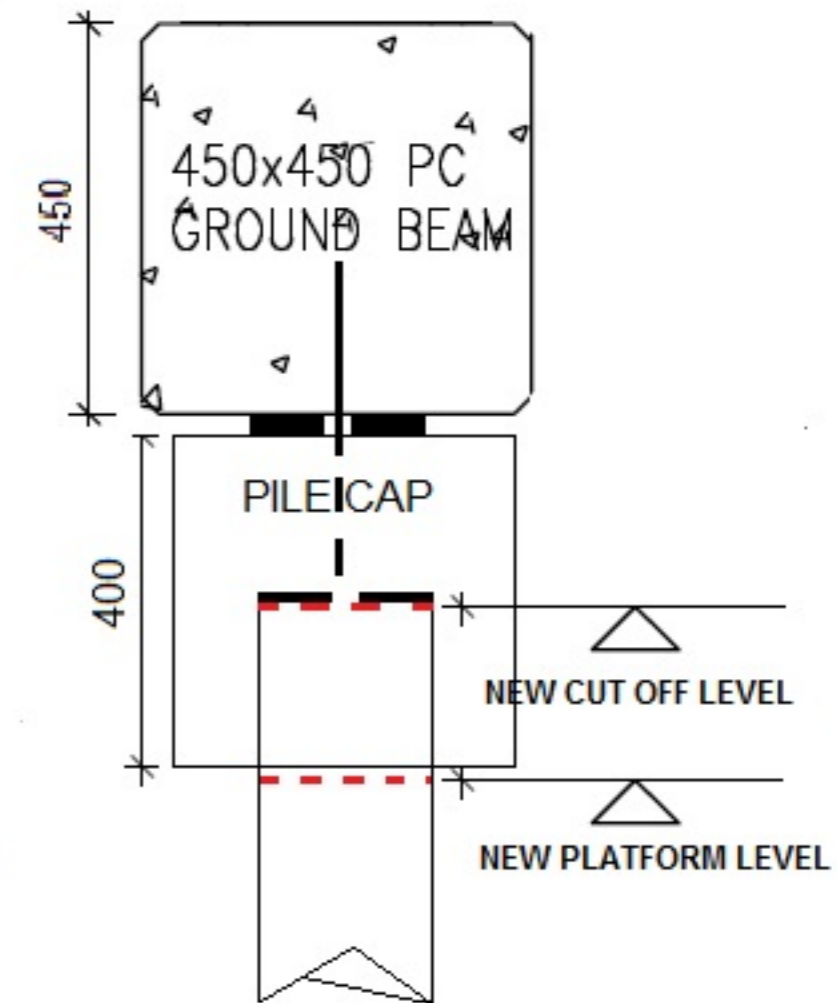
### STAGE 1

- Piling mat to be reduced a further 420mm from the top of pile with a 1m x 1m working area.
- A new cut off level is then marked on the pile, 220mm below the original.



### STAGE 2

- 20mm of shims is placed on top of the pile head.
- The pile cap is then lifted into position.
- The pile cap is grouted and left for 24 hours.



### STAGE 3

- The ground beam can then be installed onto the pile cap.

#### **NOTE**

All dimensions in mm  
NOT TO SCALE